



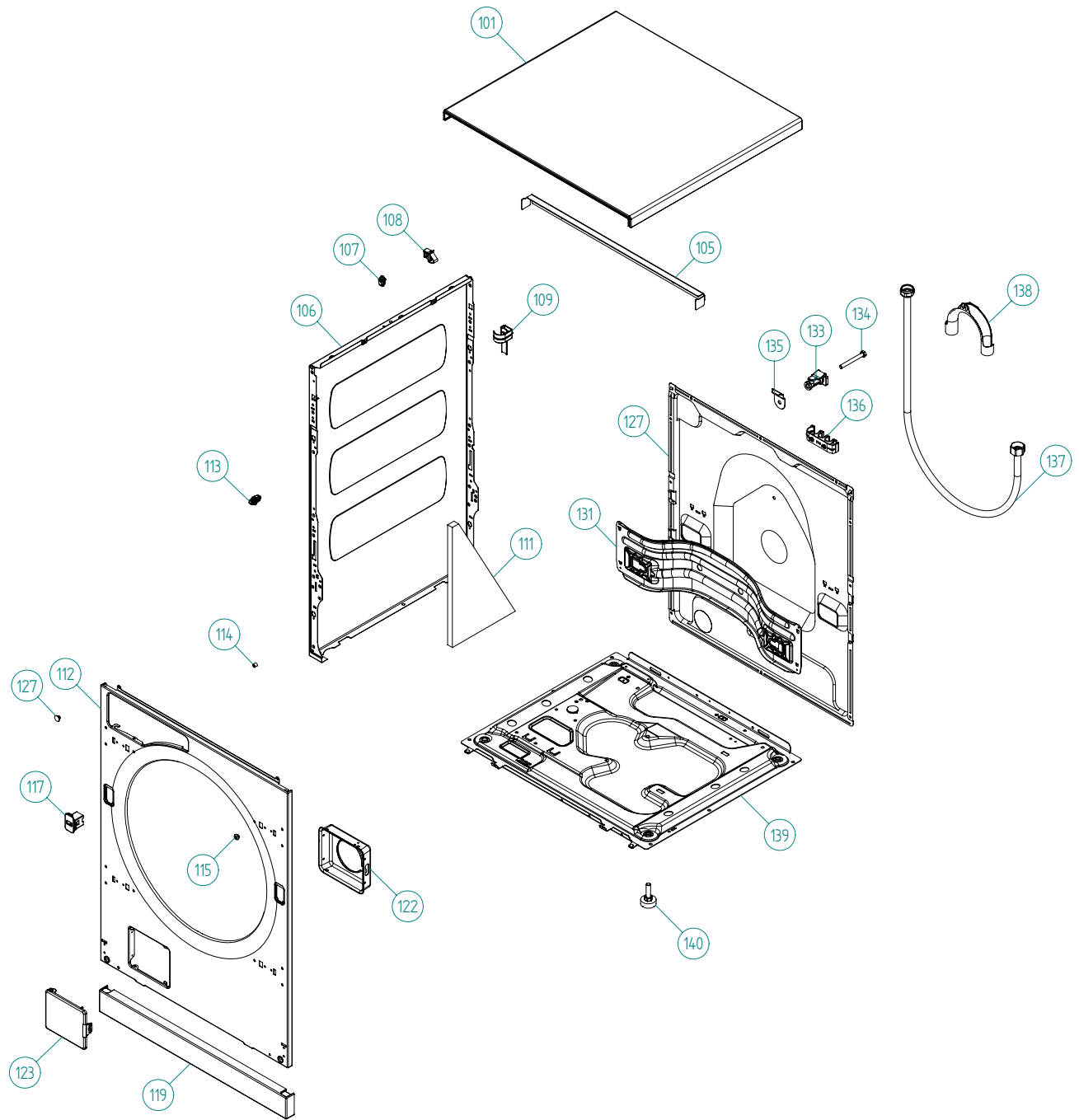
Spare Parts Catalogue

ASKO Washing Machines \ ASKO 6000 Series
Type: WM60.2
Model: W6863 US white

Prod. No: 107686310
March 15th 2012

ASKO Appliances Inc.

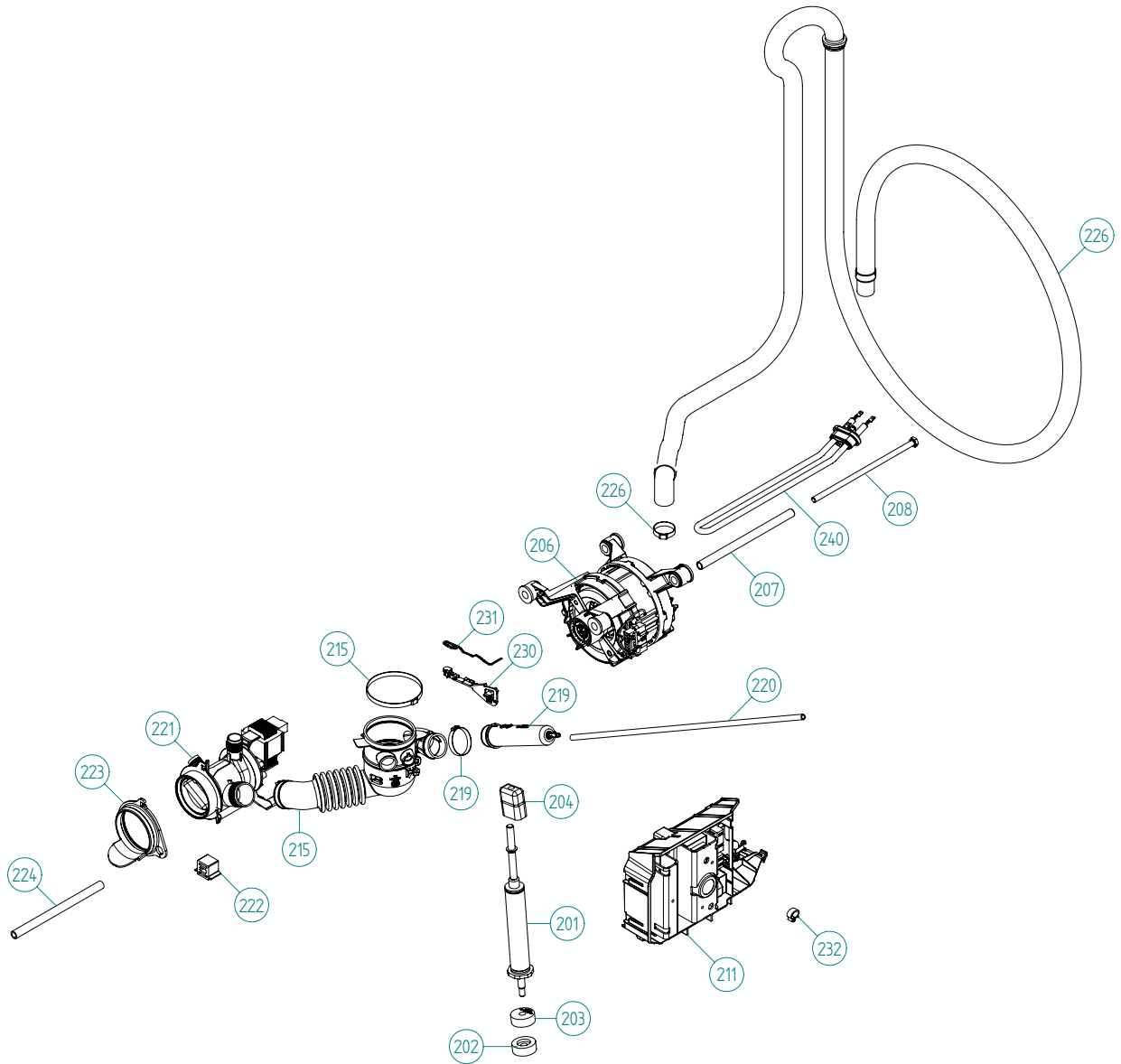
4001 E Plano Parkway #1004001 E Plano Parkway #100
Plano, Texas 75074



Outer Casing

ASKO, W6863 US - white (WM60.2)

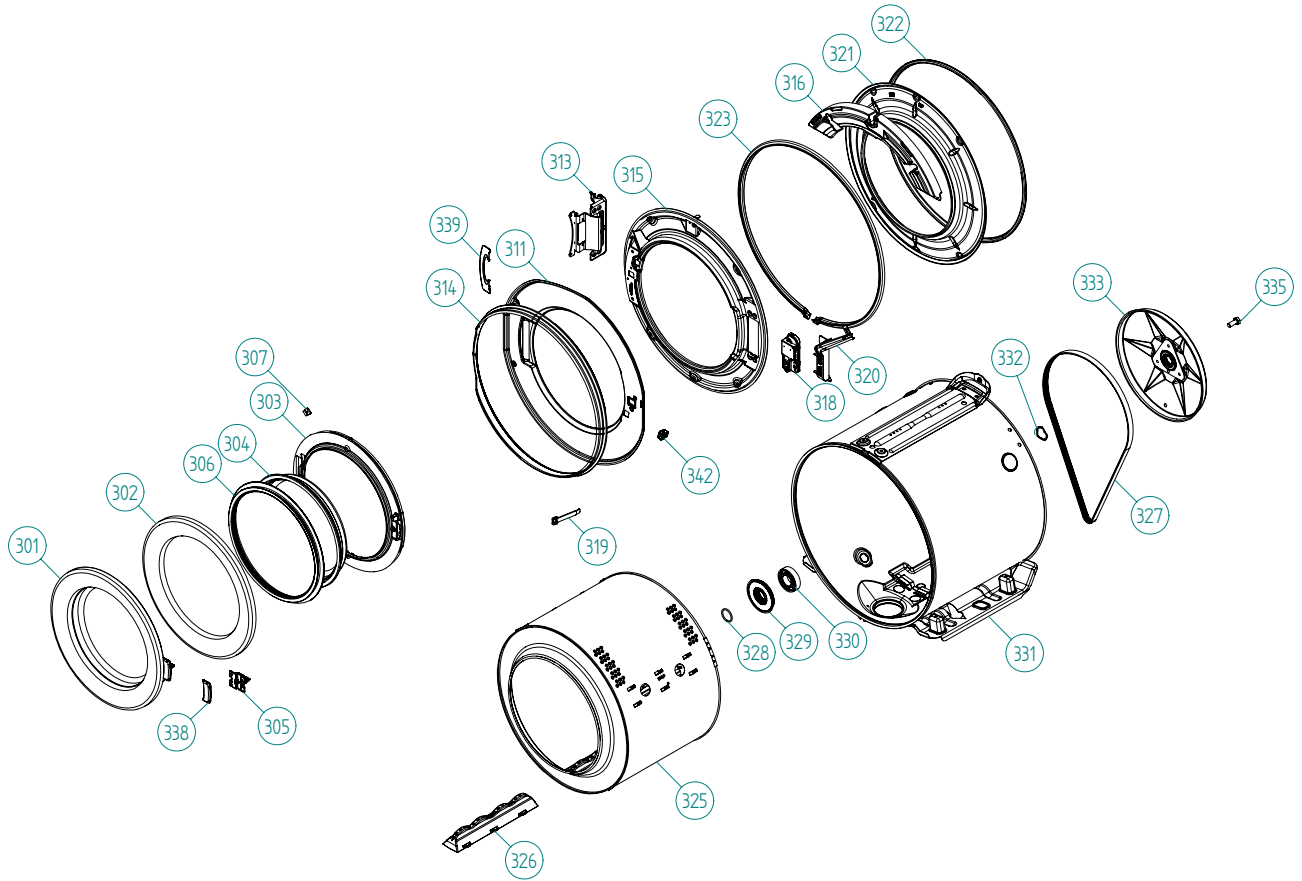
Pos	Spare part No.	Description	Qty	Comment
101	8061817-0	Top Cover Wht WMD	1 Pc's	
101-a	8902362	Screw 20 Torx Self Tapping	3 Pc's	
101-b	8901413	Lock Washer laundry tops	2 Pc's	
105	8064198	Support Beam	1 Pc's	
105-a	8064255	Sponge Rubber Strip 2X8 L=272	1 Pc's	
106	8801174-0	Side Panel Washer 600s	2 Pc's	
107	8061763	Clip Front Plate 600700s	2 Pc's	
108	8061916	CABLE HOLDER WMD20	3 Pc's	
109	8061713	HOLDER HOSE/SIDE PLATE WMD20	2 Pc's	
111	8064017	Insulation	1 Pc's	
112	8080385-0	FRONT WITH DOOR COMPL.	1 Pc's	
112-a	8902362	Screw 20 Torx Self Tapping	2 Pc's	
112-b	8900327	Screw 20 Torx Self Tapping	2 Pc's	
113	8080197	PLASTIC BRACKET FRONT PLATE	2 Pc's	
114	8064222	Guide Front Plate	2 Pc's	
114-a	8900327	Screw 20 Torx Self Tapping	2 Pc's	
115	8061741	RUBBER BUFFER FRONT DOOR	2 Pc's	
117	8093526-0	LOCK PUSH/PUSH	1 Pc's	
119	8076080-0	PLINTH	1 Pc's	
122	8061785	PUMP GUARD WM20	1 Pc's	
123	8061657-0	Door Out Pup W600s	1 Pc's	
127	8801466	REAR PANEL COMPL. WM20/60/70	1 Pc's	
127-a	8061959	PLUG HUMIDITY SENSOR/REAR PAN.	1 Pc's	
127-b	8902362	Screw 20 Torx Self Tapping	11 Pc's	
131	8061693	Cross Beam Rear 600	1 Pc's	
131-a	8902362	Screw 20 Torx Self Tapping	4 Pc's	
131-b	8901413	Lock Washer laundry tops	1 Pc's	
133	8064206-UL	GrommetShipping Support 600s	3 Pc's	
134	8901037	Screw bufo	3 Pc's	
135	8061767	Locking Clip Shipping 600s	3 Pc's	
136	8065773	HOSE FRAME REAR COVER WM	2 Pc's	
137	8056950	Fill Hose Pex WM	1 Pc's	
138	8050805	GOOSE NECK for DRAIN HOSE	1 Pc's	
138-a	8002263	Cable Strip	1 Pc's	
139	8061618	BASE PAN WMD20	1 Pc's	
140	8059334	Leveling Leg Comp WMD 20	4 Pc's	



Lower session

ASKO, W6863 US - white (WM60.2)

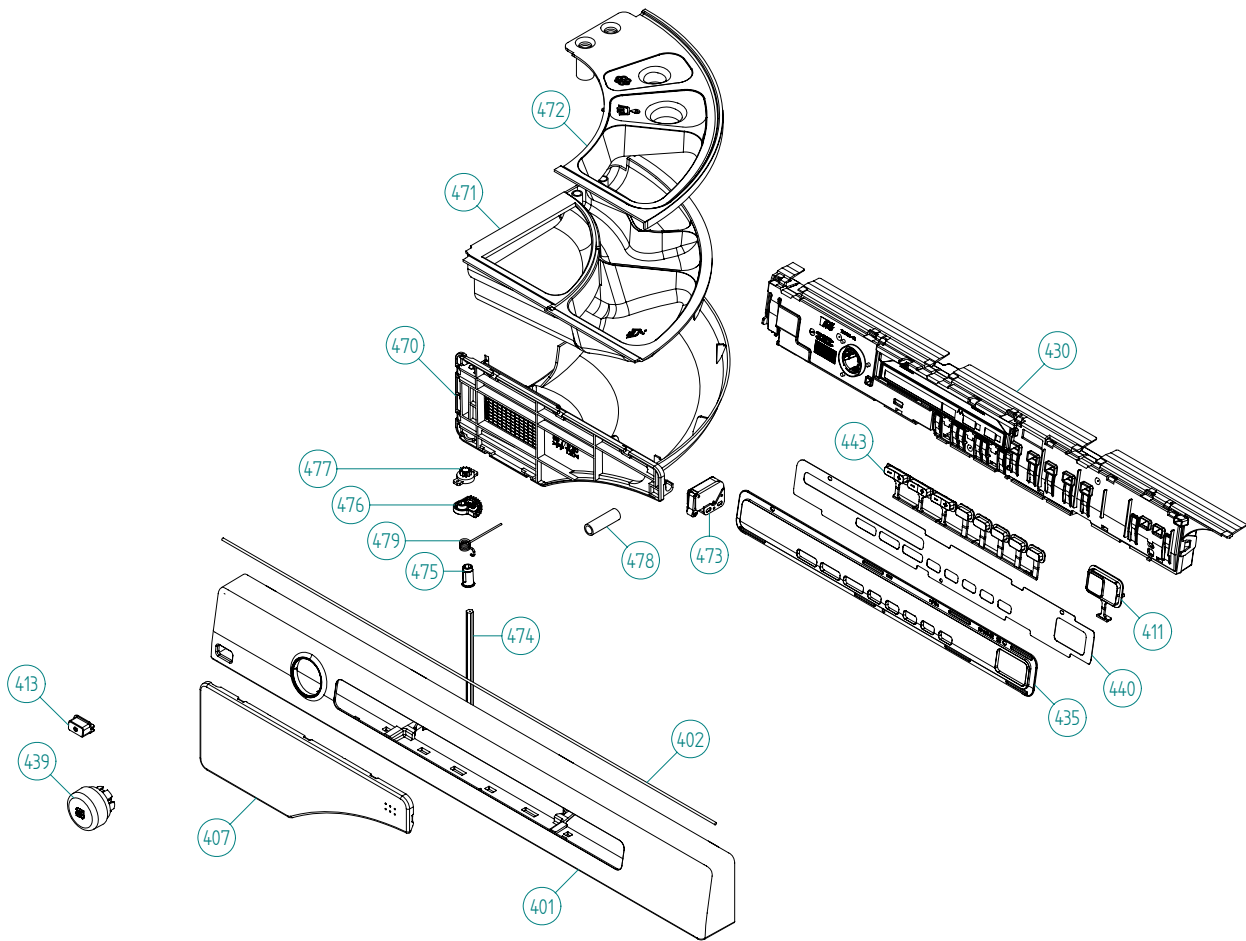
Pos	Spare part No.	Description	Qty	Comment
201	8801171	Spring Leg Kit W600s-Set of 4	1 Pc's	
202	8055796	RUBBER BUFFER SPRING LEG	4 Pc's	
203	8055797	RUBBER BUFFER SPRING LEG	4 Pc's	
204	8061668	Rubber Damper Spring Leg	4 Pc's	
206	8065833	3-PHASE INDUCTION MOTOR UL4	1 Pc's	
207	8058261	Spacer Tube Motor 05 WM	2 Pc's	
208	8063591	Screw	2 Pc's	
211	8081807	FREQUENCY CONVERTER W. HOLDER	1 Pc's	
211-a	8901097	Screw Terminal	1 Pc's	
211-b	8901322	Washer	1 Pc's	
215	8061681	Bellows Hose Outlet Pump	1 Pc's	
215-a	8063262	HOSE CLIP 80.0-708	1 Pc's	
215-b	8056471	Hose Clips	1 Pc's	
215-c	8084609	HOSE CLIP 39.6	1 Pc's	
215-c	8084609	HOSE CLIP 38,1	1 Pc's	
219	8061924	Pressure Chamber	1 Pc's	
219-c	8084609	HOSE CLIP 39.6	1 Pc's	
220	8080831	RUBBER HOSE 4,3X7,3X527	1 Pc's	
221	8801264	Drain Pump w/clamps	1 Pc's	
221-a	8801186	Seal Pump Insert	1 Pc's	
221-b	8801297	Pump insert	1 Pc's	
222	8061649	Rubber Buffer Drain Pump WM20	2 Pc's	
223	8061796	Rubber Ring Drain Pump WM20	1 Pc's	
224	8061725	Drain Hose WM20	1 Pc's	
224-a	8052731	HOSE CLIP 14,8	1 Pc's	
226	8061998	Outlet Hose WM20	1 Pc's	
226-a	8056491	HOSE CLIP 30.1-708	1 Pc's	
231	8801474	THERMISTOR COMPL. W. HOLDER	1 Pc's	
232	8061976	Cable Holder W600	2 Pc's	
240	8061706	HEATING ELEMENT 2000W 230V UL4	1 Pc's	



Cylinder and related parts

ASKO, W6863 US - white (WM60.2)

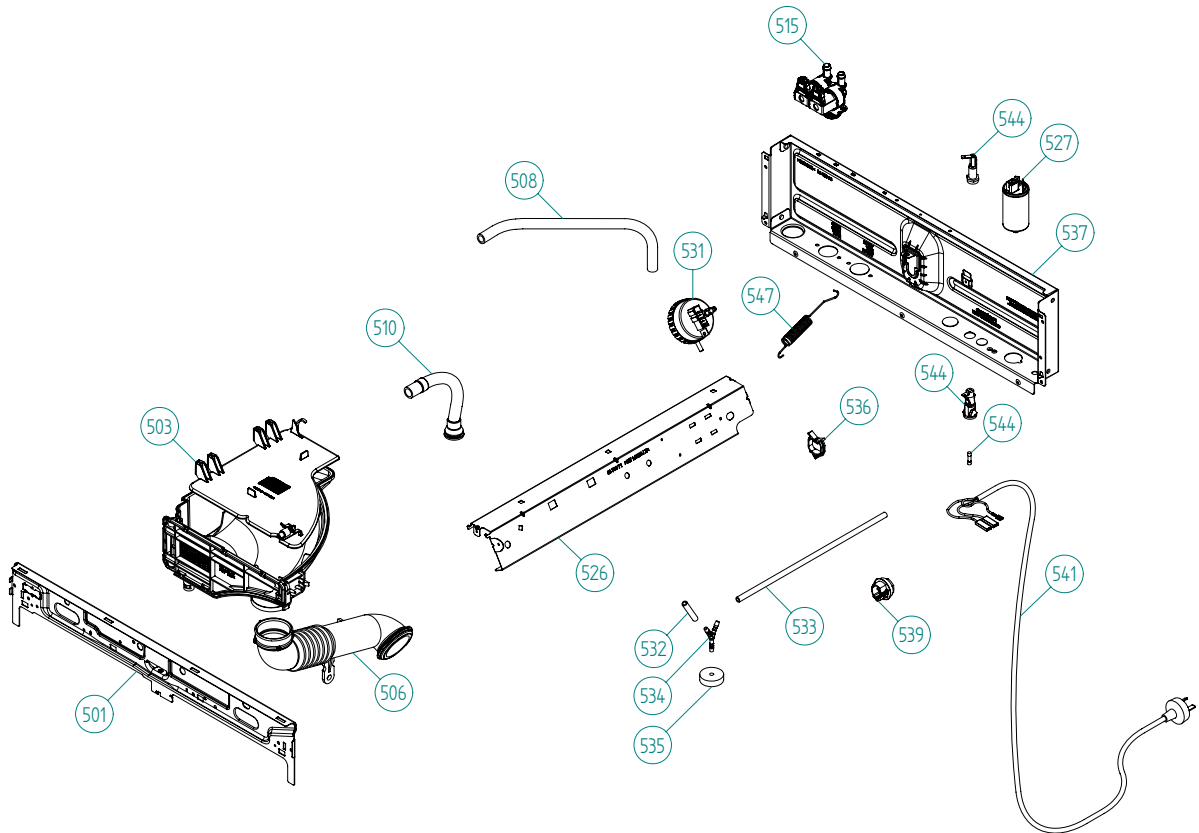
Pos	Spare part No.	Description	Qty	Comment
301	8081875-85	FRONT DOOR COMPL.	1 Pc's	
302	8076548-85	FRAME FRONTDOOR OUTER PART UL4	1 Pc's	
303	8076547-49	FRAME FRONT DOOR INNER PART	1 Pc's	
304	8061685	Front Glass	1 Pc's	
305	8078973	LOCK HOOK UL4	1 Pc's	
306	8064025	Seal front door WM20/21	1 Pc's	
306	8081128	SEALING FRONT DOOR WM60 UL4	1 Pc's	
307	8801321	KIT SECURING PLATE FRONT GLASS	1 Pc's	
311	8076560-0	COVER PLATE OUTER WHITE	1 Pc's	
313	8079471	HINGE COMPL.	1 Pc's	
313-a	8079877	SCREW MFT 8.8 M5X10 FZB	4 Pc's	
313-b	8901097	Screw Terminal	2 Pc's	
314	8076561-49	GAP SEALING	1 Pc's	
315	8078970	COVER PLATE INNER	1 Pc's	
316	8076563	Balance Weight 5.1 KG	2 Pc's	
316-a	8901135	SCREW	4 Pc's	
318	8902087	Screw Plastic Housing 20 Torx	2 Pc's	
318	8079873	DOOR LOCK	1 Pc's	
319	8076566	EMERGENCY OPENER DOOR LOCK	1 Pc's	
320	8079959-UL	DOOR LOCK COVER	1 Pc's	
321	8065043	Front Panel Tub	1 Pc's	
322	8061889	Seal Strip Tub 600s	1 Pc's	
323	8061669	TENSION RING WM20	1 Pc's	
325	8801277	Cylinder w/Sealing Kit	1 Pc's	
326	8061604	Drum Paddle	3 Pc's	
327	8061682	Drive Belt W600 Series	1 Pc's	
328	8058497	ORing 600s Drum Shaft WM	1 Pc's	
329	8801276	Kit Sealing Cassette	1 Pc's	
330	8056314	Bearing Comp WM Rear Panel	2 Pc's	
331	8801259	CONTAINER COMPL.WM20 CAST IRON	1 Pc's	
332	8056810	Wave Washer WM	1 Pc's	
333	8056376	Pulley for Drum WM	1 Pc's	
335	8901052	Screw	1 Pc's	
338	8078975-85	COVER LOCK HOOK	1 Pc's	
339	8079283-0	HINGE COVER	1 Pc's	
342	8089887	GUIDE-2 GLASS DOOR	1 Pc's	



Control Panel

ASKO, W6863 US - white (WM60.2)

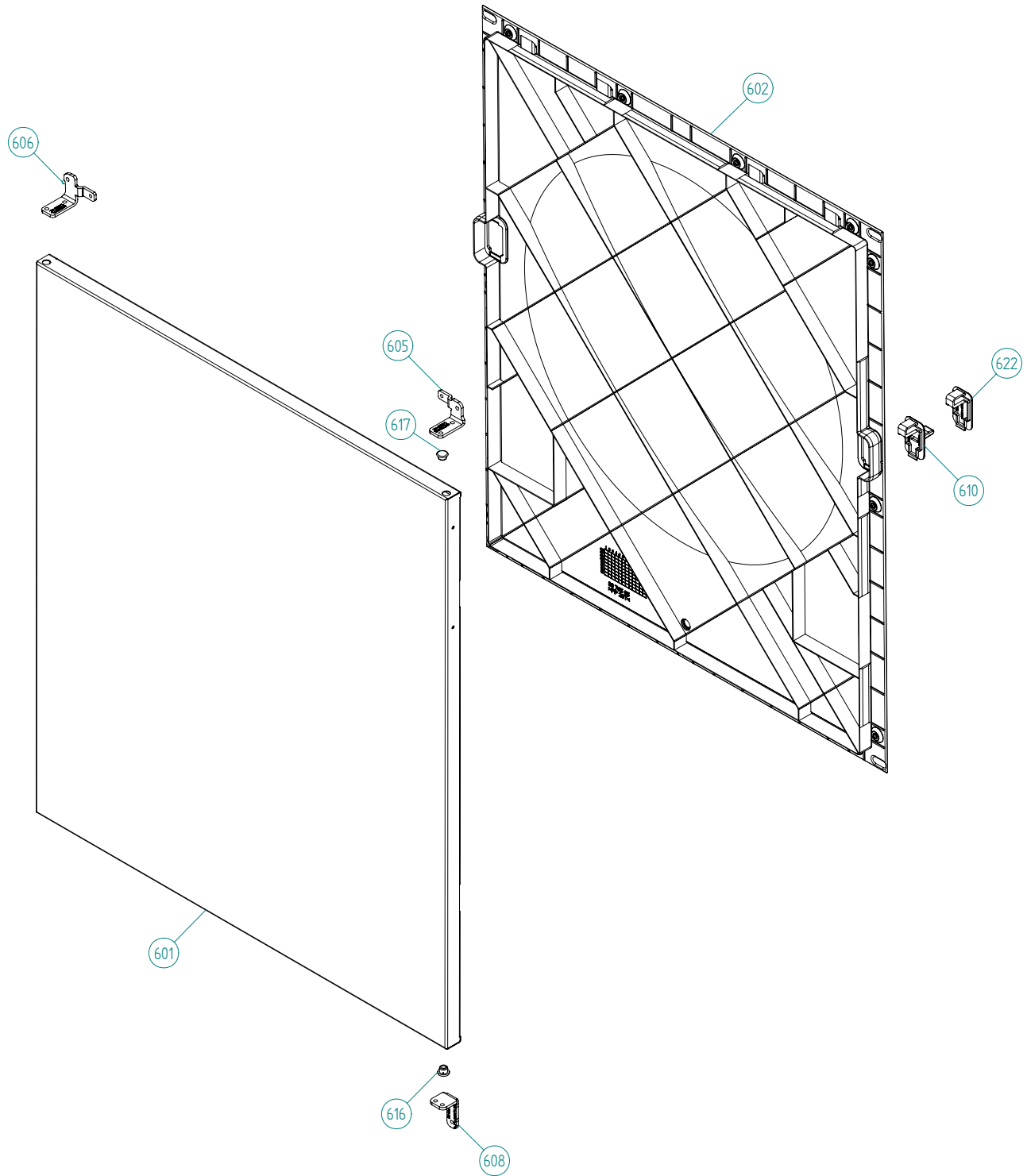
Pos	Spare part No.	Description	Qty	Comment
401	8083042-0-UL	PANEL ASKO W6863	1 Pc's	
402	8079749	Rubber Seal-Cntrl Panel to Brd	1 Pc's	
407	8076072-0	LID DETERGENT DISPENSER	1 Pc's	
411	8081748-0	PUSHBUT. START/STOP PRINTED WM	1 Pc's	
413	8081710-0	PUSHBU. MAINSWITCH WMD60.2 UL4	1 Pc's	
430	8801468	CONTROL UNIT COMPL. WM60.2	1 Pc's	
435	8081502	LENS 8-OPTIONS WM60.2	1 Pc's	
440	8082159-85	DECOR PLATE 8-OPTIONS WM60.2	1 Pc's	
441	8082163-85	ASKO A	1 Pc's	
442	8082421-0-UL	KNOB ASKO WMD60.2 COMPL. UL4	1 Pc's	
443	8081527-0	KEY SET 8-BUTTONS	1 Pc's	
460	8082570	CABLE SET MOTOR WM UL4	1 Pc's	
468	8076209	GROUND CHAIN WM UL4	1 Pc's	
470	8077620	HOLDER DETERGENT COMPARTMENT	1 Pc's	
471	8077619	DETERGENT COMPARTMENT	1 Pc's	
472	8077142	SIPHON Liq DET Swing Compartment	1 Pc's	
473	8078925	PUSH LOCKING	1 Pc's	
474	8077621	SHAFT DETERGENT COMPARTMENT	1 Pc's	
475	8076159	BUSHING DETERGENT COMPARTMENT	3 Pc's	
476	8076189	GEAR RING DETERGENT CONTAINER	1 Pc's	
477	8078924	DAMPER DETERGENT COMPARTMENT	1 Pc's	
478	8081698	SPACER DETERGENT COMP. 30MM	1 Pc's	
479	8077622	TORSION SPRING	1 Pc's	



Upper session

ASKO, W6863 US - white (WM60.2)

Pos	Spare part No.	Description	Qty	Comment
501	8076029	FRONTBEAM	1 Pc's	
501-a	8902362	Screw 20 Torx Self Tapping	2 Pc's	
501-b	8901413	Lock Washer laundry tops	2 Pc's	
503	8801379	Detergent Compartment Kit WM60	1 Pc's	
503	8081808	DETERGENT COMP. COMPL. UL4	1 Pc's	
503-a	8901970	Screw	1 Pc's	
503-b	8902072	SCREW PT KB40X10 WN1442 GALV	1 Pc's	
506	8064692	BELLOW HOSE INLET UL4	1 Pc's	
506	8081670	BELLOW HOSE INLET WM60 UL4	1 Pc's	
506-a	8063607	HOSE CLIP 57,5	1 Pc's	
508	8058502	RUBBER HOSE 10X15X360 UL1	2 Pc's	
510	8061736	Ventilation Hose WM20	1 Pc's	
510-a	8052730	HOSE CLIP 21,0	1 Pc's	
515	8079324	INLET VALVE Repl.by 8083880	1 Pc's	
515-a	8901097	Screw Terminal	2 Pc's	
526	8078971	UNIT FOR ELECTR. COMP.	1 Pc's	
527	8076202	EMC-FILTER WITH INDUCTOR	1 Pc's	
527-a	8901155	Nut	1 Pc's	
527-b	8901419	Lock Washer	1 Pc's	
529	8079714	CABLE SET MC C CIM-A W UL4	1 Pc's	
529	8082568	CABLE SET P WM UL4	1 Pc's	
529	8082569	CABLE SET MC P WM UL4	1 Pc's	
529	8079710	CABLE SET IV WM UL4	1 Pc's	
529	8079716	CABLE SET N AP LL WM UL4	1 Pc's	
529	8079717	CABLE SET EL WM UL4	1 Pc's	
531	8078221	LEVEL SWITCH WM05	1 Pc's	
532	8080832	RUBBER HOSE 4,3X7,3X72	1 Pc's	
533	8080617	RUBBER HOSE 4,3X7,3X260	1 Pc's	
534	8051843	Y Pipe Water Level SW WM	1 Pc's	
535	8061997	Ground Level Switch Hose WM20	2 Pc's	
536	8061975	Cable Holder	1 Pc's	
537	8061694	CROSS BEAM Repl.by 8801477	1 Pc's	
537-a	8900327	Screw 20 Torx Self Tapping	5 Pc's	
539	8006948	Grommet	1 Pc's	
541	8064210	PWR Cord w/flat pin sleeves	1 Pc's	
544	8801354	FUSE HOLDER GREY 15A US/CA	2 Pc's	
544-a	8801354	BK/MDA15 Fuse All laundry	2 Pc's	
544-b	8801354	Hub Fuse Holder	2 Pc's	
544-c	8801354	Fuse Holder Laundry	2 Pc's	
547	8061923	Balancing Spring WM 20	2 Pc's	



Outer Door

ASKO, W6863 US - white (WM60.2)

Pos	Spare part No.	Description	Qty	Comment
601	8076033-0	OUTER DOOR	1 Pc's	
601-a	8900352	Screw Access Panel 05/06	6 Pc's	
602	8076565-0	INNER DOOR	1 Pc's	
605	8077599-0	HINGE UPPER RT	1 Pc's	
605-a	8900327	Screw 20 Torx Self Tapping	3 Pc's	
605-b	8901097	Screw Terminal	1 Pc's	
605-c	8061804	HINGE PIN	1 Pc's	
606	8079489-0	HINGE UPPER L	1 Pc's	
606-a	8900327	Screw 20 Torx Self Tapping	3 Pc's	
606-b	8901097	Screw Terminal	1 Pc's	
606-c	8061804	HINGE PIN	1 Pc's	
608	8076032-0	HINGE DOOR LOWER	1 Pc's	
608-a	8901097	Screw Terminal	2 Pc's	
608-b	8061804	HINGE PIN	1 Pc's	
610	8077485-0	LOCK CATCH	1 Pc's	
616	8061865-0	Bushing Hinge Pin T700s	2 Pc's	
617	8061953-0	Door Plug Wht T700's	1 Pc's	
622	8076079-0	COVER FOR LOCK/LOCK HOOK	1 Pc's	